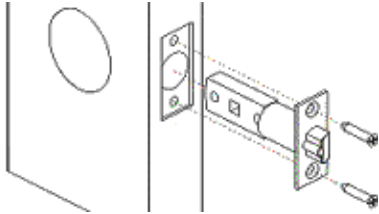


Eternity-III-Installation

**(We recommend installing the lock in unlock position.
The Position Pin with the Dot on the lock housing is pointed up.)**

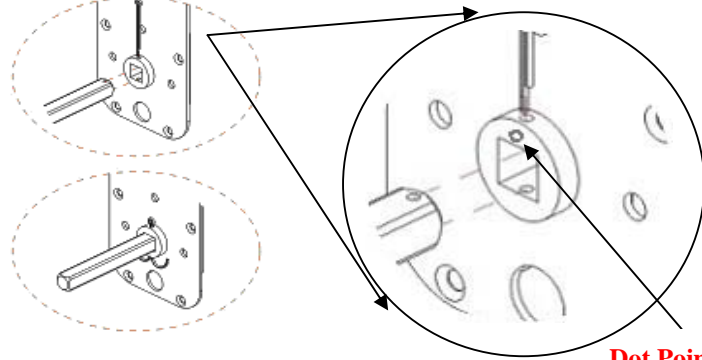
Step 1

Insert the latch into door hole. Secure the latch with two fix screws.



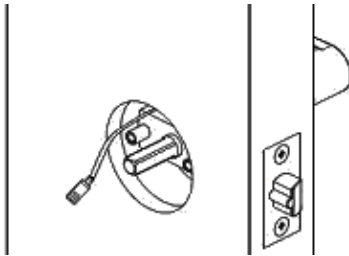
Step 2

Insert square bar into front lock housing, **ensuring that the dot on the lock housing is pointed up.** Put pin into hole to secure the square bar with the front housing. Bend ends of pin around cylinder to lock the pin in place.



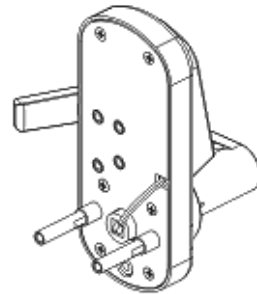
Step 3

Take the screw extensions and screw into the holes on either side of the central cylinder housing.



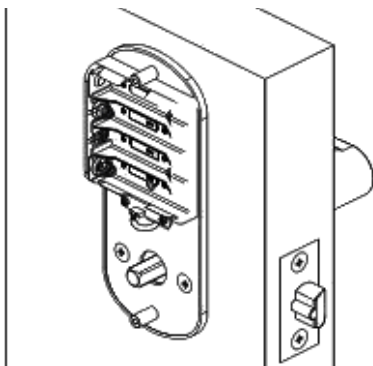
Step 4

Place front lock housing in the door with the front rubber gasket between the door and housing while feeding the plug through the door.



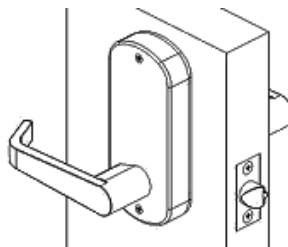
Step 5

Attach the back battery unit to the door, first connecting the plug into the back unit, directly under the batteries. Fit back unit on the door, with the square bar going through the big hole, then fasten with 2 screws with the front extension pose.



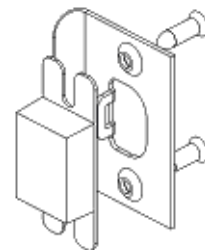
Step 6

Put in batteries, then put the back lock housing over the battery unit. Fasten with 2 screws.

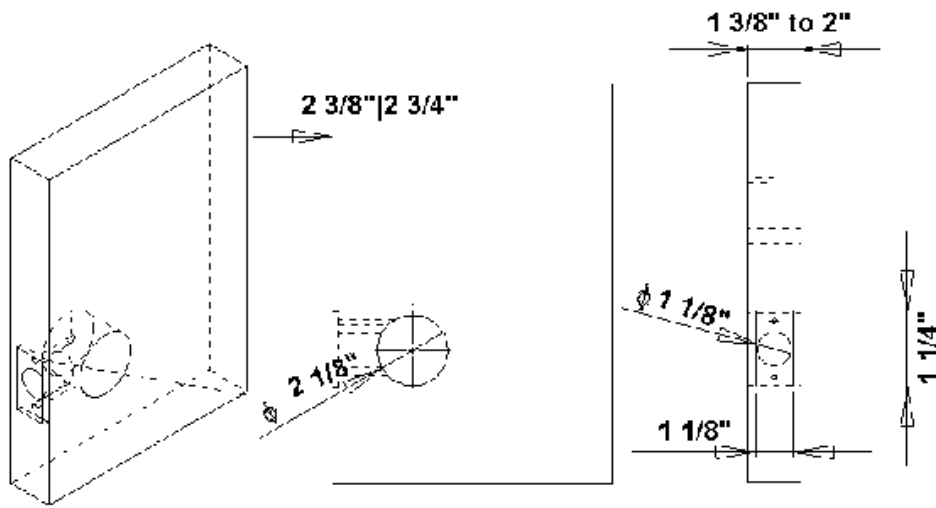


Step 7

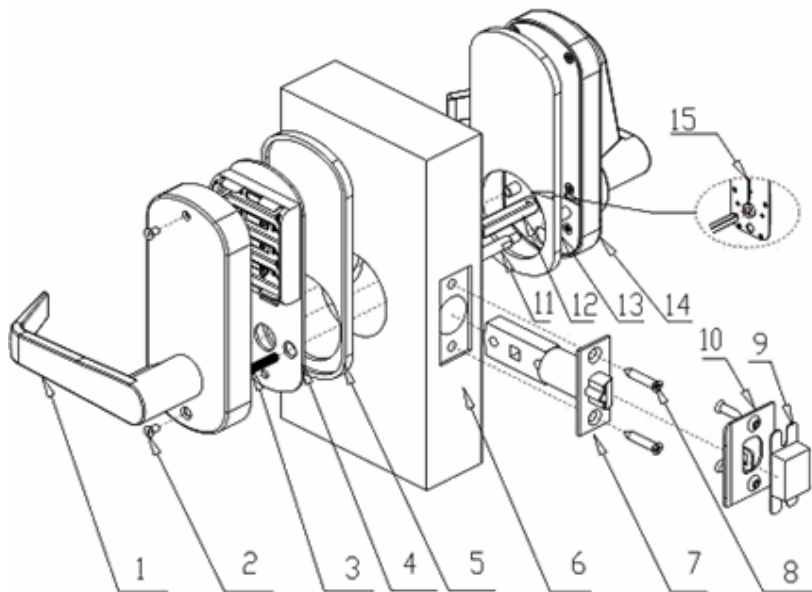
Put strike box in doorframe, and then strike plate over it.



Door Prep:



Front View Installation:



Major Lock Parts:

1. Back Handle
2. Back Cover Screws
3. Battery Plate Screws
4. Battery Plate
5. Back Rubber Gasket
6. Door
7. Latch
8. Latch Fix Screws
9. Dust Boot
10. Strike Plate
11. Front Lock Extension
12. Square Shaft
13. Front Rubber Gasket
14. Front Lock
15. Position Pin