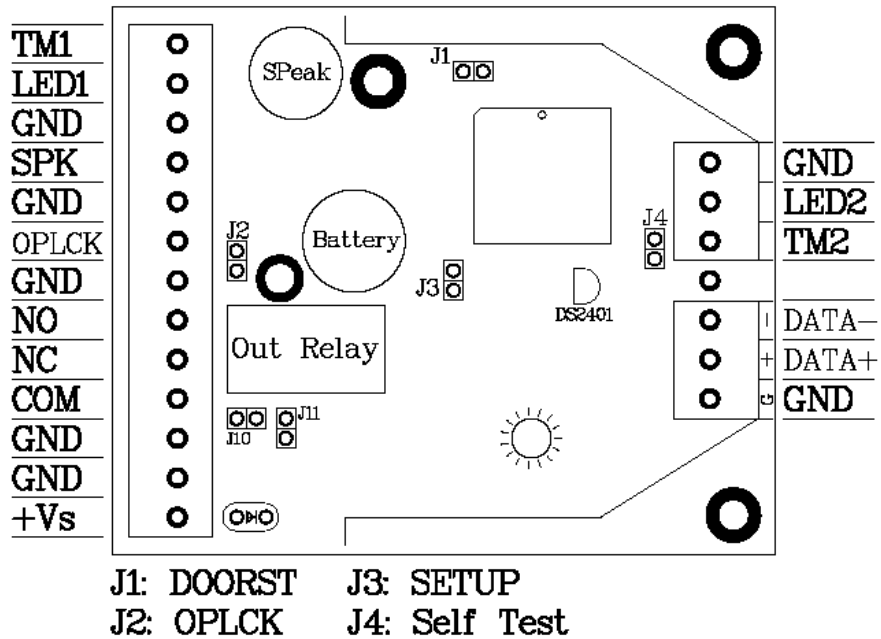


# Installation Instructions

## For the

# ETERNITY DOOR CONTROLLER

(Model: EDC600 - TM Only)



### J3: Reset Switch

1. Press and hold for 30 seconds. It will reset to manufacture default setting and delete current settings include user keys and pass codes.
2. Press once, system goes into programming mode. Use for new lock setup mission.

**J10: Dry Contact** (For detail instruction see Wiring Instruction Section below)

**J11: Wet Contact** (For detail instruction see Wiring Instruction Section below)

**DATA-:** RS485-

**DATA+:** RS485+

### Specification

**Power Supply:** 12V, 3.5AMP

**Output Relay:** 12V, 5AMP

**Operating Temp:** -18°C to +70°C (0°F to +158°F)

**Power Consumption:** 15 mA unloaded, 1.5AMP Maximum

**Enclosure Size:** Steel enclosure with hinged lid, 12"×12"×4"

## Installation

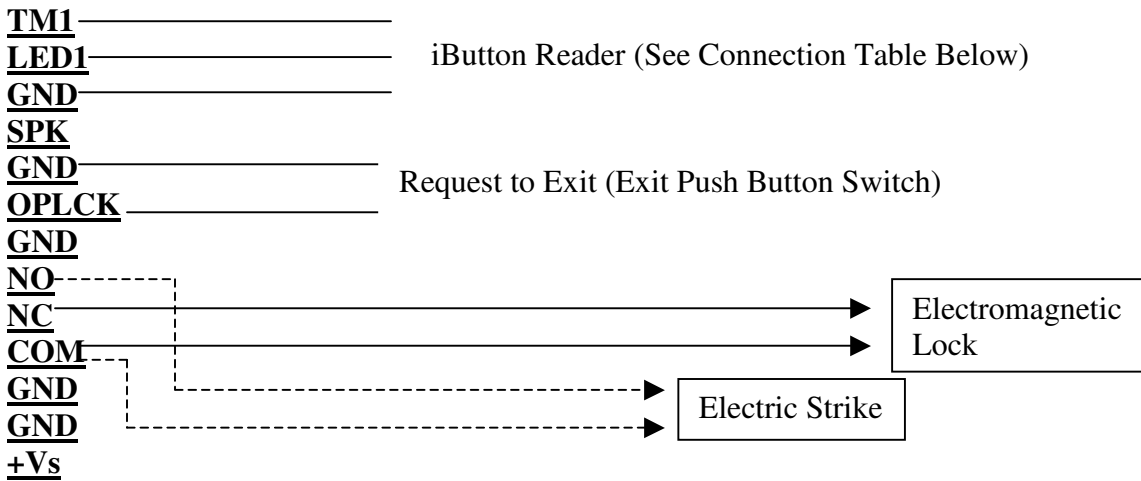
**\* Exit Device must be ordered for specific door width, cutting of rail in field is not recommended.**

1. Install the controller and iButton reader at preferred location.
2. Cat5 network cable can be used for iButton reader wiring. **Caution:** Please do NOT exceed 20 feet wiring distance between the iButton reader and the controller system board.

## Wiring Instruction

**There are many ways to connect the exit device to the controller, for you reference, we provide you the most common method:**

1. Jump J10 for Dry Contact. Use NC/NO terminals for door locking device that has separated power supply other than the one used by controller.
2. Jump J11 to connect the Normal Close (NC) or Normal Open (NO) to the positive side of the exit device, negative side to the Ground (GND). NC/NO terminals will have +12V DC power.





**iButton (Blue Dot) Reader Connection Table**

Terminal	iButton Reader Lead Wire
TM1	Green
LED1	Orange
GND	Blue and Yellow

**Note: For key management operations and time functions please refer to the Eternity Lock Management software user's manual.**

## Part Number and Item Description

Part Number	Description	
DCIBRD	DS Door Controller iButton Reader (DS9092L+)	 A small, circular electronic component with a blue lens and a gold-colored metal housing, connected to a multi-colored ribbon cable.
EDC600	Door Controller (Eternity) System Board - TM only	 A green printed circuit board (PCB) populated with various electronic components, including a large central microcontroller, several integrated circuits, capacitors, and connectors along the edges.